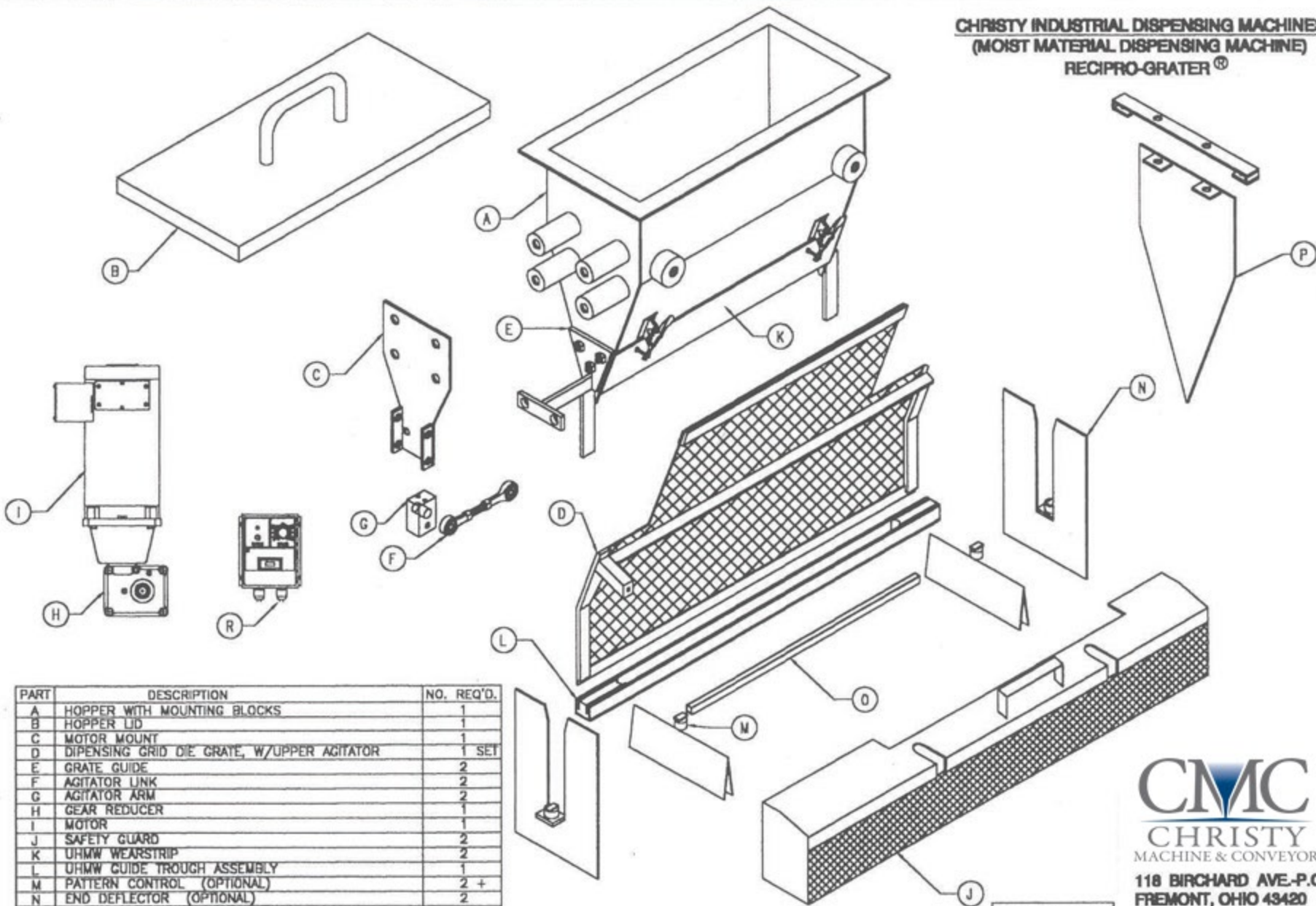


**CHRISTY INDUSTRIAL DISPENSING MACHINES
(MOIST MATERIAL DISPENSING MACHINE)
RECIPRO-GRATER®**



PART	DESCRIPTION	NO. REQ'D.
A	HOPPER WITH MOUNTING BLOCKS	1
B	HOPPER LID	1
C	MOTOR MOUNT	1
D	DISPENSING GRID DIE GRATE, W/UPPER AGITATOR	1 SET
E	GRATE GUIDE	2
F	AGITATOR LINK	2
G	AGITATOR ARM	2
H	GEAR REDUCER	1
I	MOTOR	1
J	SAFETY GUARD	2
K	UHMW WEARSTRIP	2
L	UHMW GUIDE TROUGH ASSEMBLY	1
M	PATTERN CONTROL (OPTIONAL)	2 +
N	END DEFLECTOR (OPTIONAL)	2
O	PATTERN CONTROL BAR (OPTIONAL)	1
P	INTERNAL REDUCTION PLATE (OPTIONAL)	2
R	Minarik MM23401A CONTROLLER	1

CMC
CHRISTY
MACHINE & CONVEYOR

118 BIRCHARD AVE.-P.O. BOX 32
FREMONT, OHIO 43420
PHONE: 419-332-6451
TOLL FREE: 888-332-6451
RANDY FIELDING

TO ORDER PARTS
SPECIFY MACHINE
MODEL NUMBER
AND SIZE.